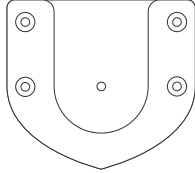


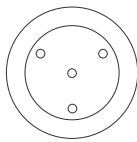
O SHAPED BRACKET instruction manual

■ contents

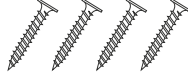
Wall side part x1



O shaped disk x1



Screws for wall x 4



Screws for board x 4

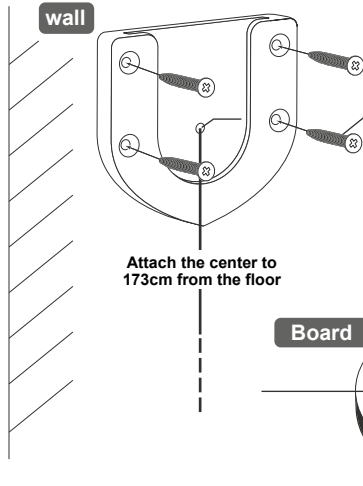


■ How to set up

When mounting directly on the wall

Preparation: Prepare a screwdriver for installation.
(You can easily work with an electric screwdriver.)

Wall with a wall stud inside

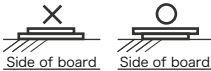


For best results amount the bracket to a solid wall or locate a stud and mount the bracket to the stud.

Screws for wall

Screws for board

Place a small O-shaped surface to the board



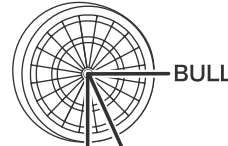
Board

中心

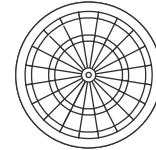
中心

Attach the center to 173cm from the floor

■ board distance



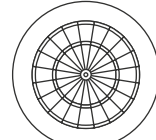
BULL



Soft dart size

- ① 173cm
- ② 244cm
- ③ 299cm

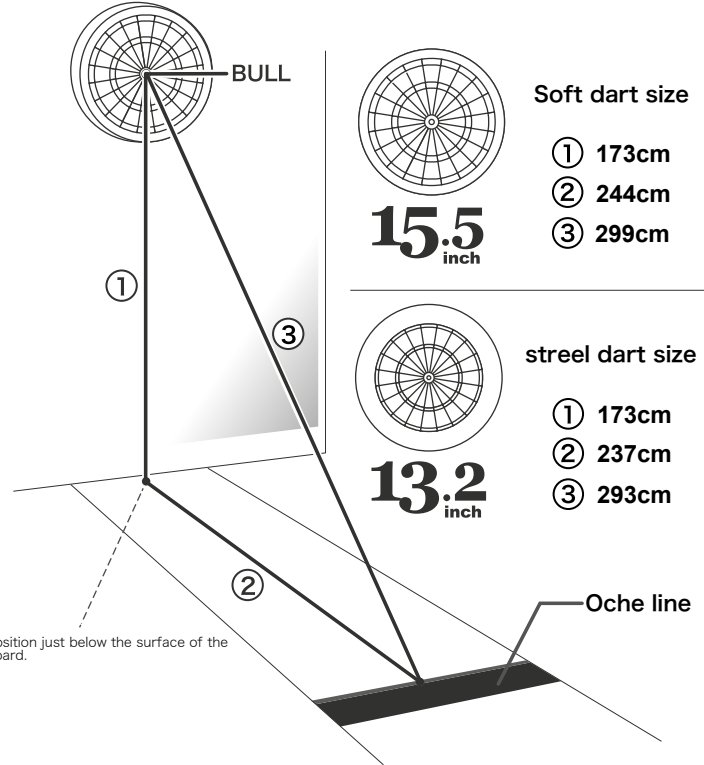
15.5
inch



steel dart size

- ① 173cm
- ② 237cm
- ③ 293cm

13.2
inch



Position just below the surface of the board.

Oche line

