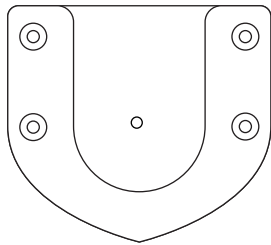


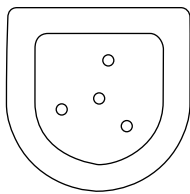
# GRAN DARTS U SHAPED BRACKET FOR GRANBOARD instruction manual

## ■ contents

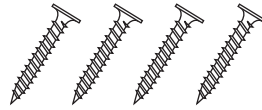
Wall side part x1



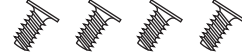
U shaped disk x1



Screws for wall x 4

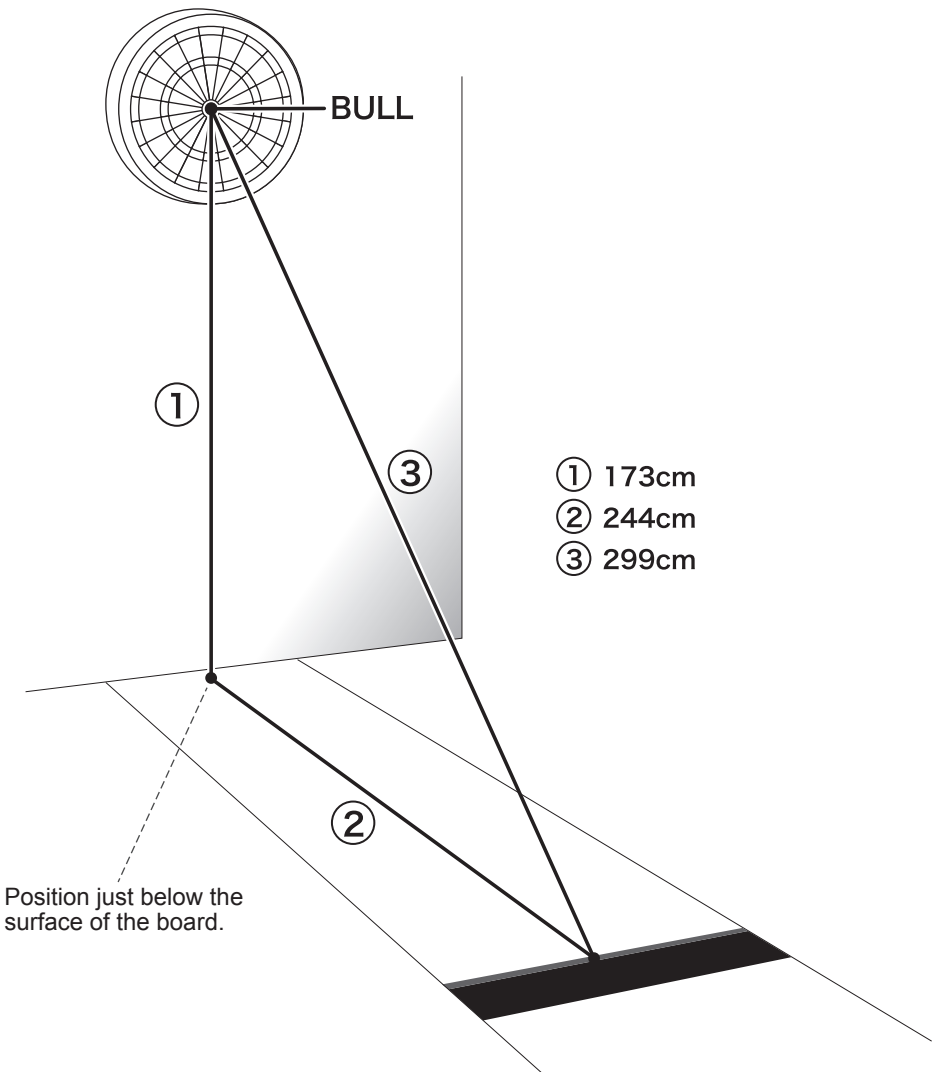
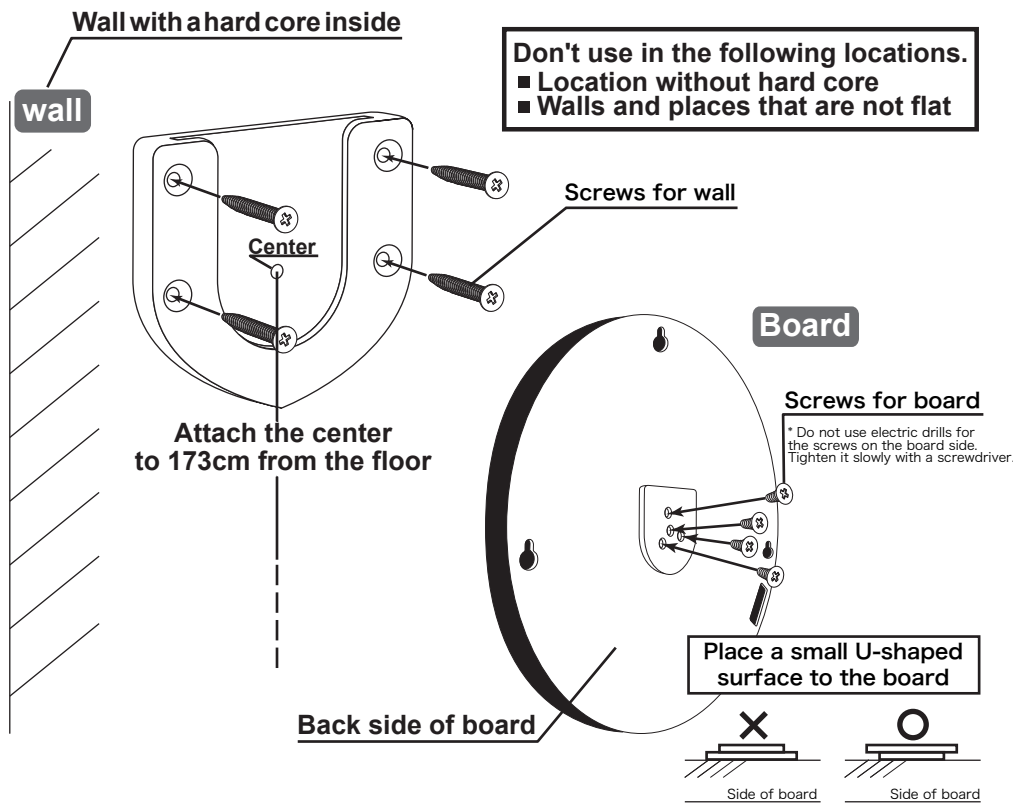


Screws for board x 4



## ■ How to set up

When mounting directly on the wall



Be careful when handling the board because it is heavy. There is a risk that the board will fall if the board is installed incorrectly. Never use it for purposes other than dartboard.