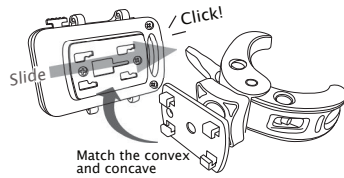


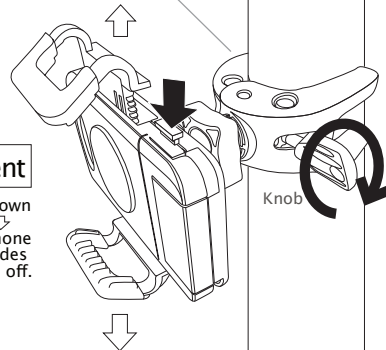
GRAN SMARTPHONE HOLDER Attachment Scene

Pole Stand Attachment

- 1 Join the two base parts together. Align the convex and concave parts and slide them until a click sound.



- 2 When attaching the holder to the Pole Stand, hold and push the holder to the Pole Stand firmly to avoid a fall and knob it tightly.



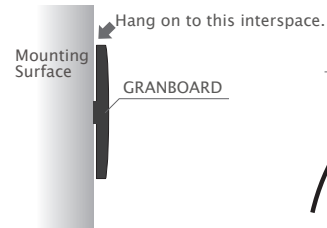
SMARTPHONE Attachment

Press down the ↓ then the up and down sides of the holder will open in the ↕ direction automatically. Put Smartphone into the space and close the open sides manually to secure it from dropping off.

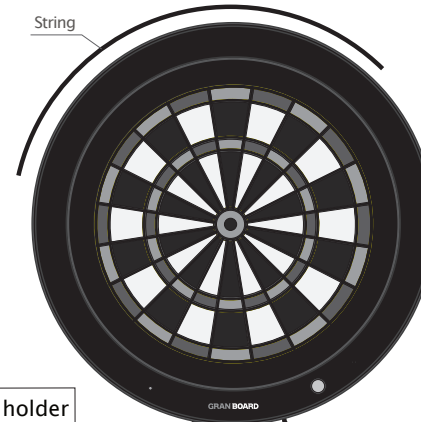
Wall Attachment

When there is no place to put or to hang Smartphone then you can use the attached string and the holder to hang the Smartphone.

- 1 Make the attached string round and hang it to the interspace between the mounting surface and GRANBOARD.



- 2 Adjust the Smartphone position by the stopper.



How to attach Smartphone and holder

- 1 Pass the String
- 2 Posit the Smartphone
- 3 Assure the String is behind the attached Smartphone.

