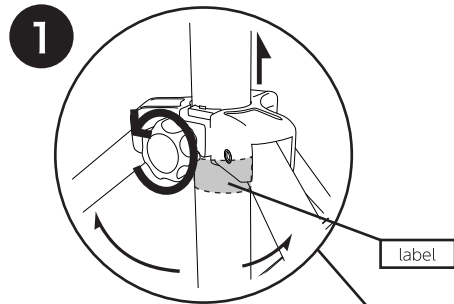
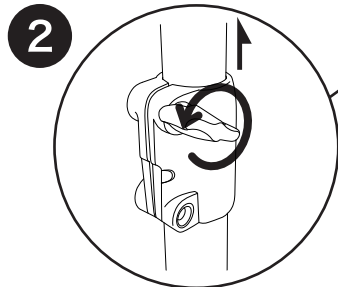


GRAN TRIPOD DART STAND How to Build Instruction

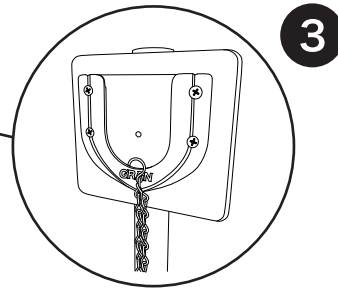
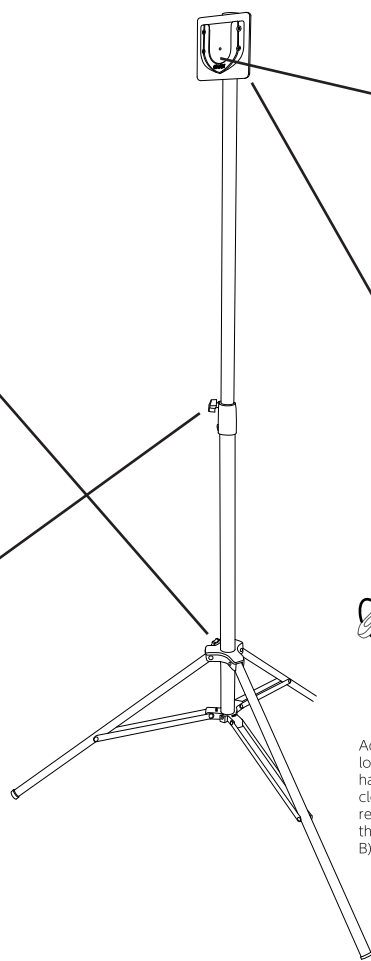
How to Setup Portable Tripod Stand



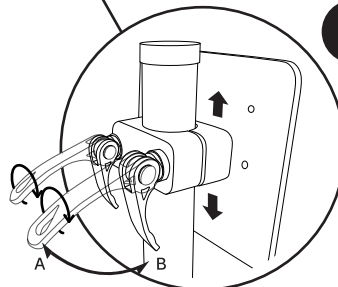
1 Start with fixing position. Loosen a screw. Adjust a along the label per the image. Then open a tripod and fix tightly.



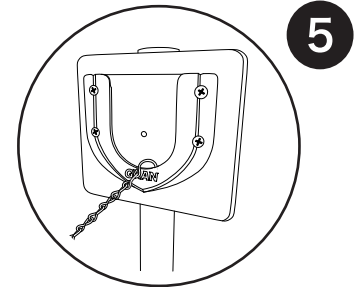
2 Loosen the locking knob located at the center of the tripod, extend center column all the way out and tighten the knob to lock.



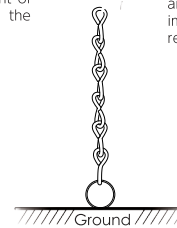
3 Use Measurement Chain to find the height of the Bullseye. Connect the first hook to the Bracket and hang it straight down.



4 Adjust the height of the Bracket by using the handle located at the back of the Bracket. Pull up (direction A) the handle to unlock the Bracket holdings. Turn the handle clockwise to tighten so that the adjustment is set to the required height of 173cm. Once the Bracket is adjusted to the appropriate height, Bring down the handle (direction B) to lock the Bracket.



5 Once the Bracket holdings is locked, connect the second hook to the Bracket and straighten the chain diagonal (refer to image). The ring at the end of the chain represents the throw-line.



Let the ring touch the ground so that the Bracket can be adjusted to the appropriate height. (refer to image) When adjusting the height of the Bracket, make sure the chain is taut while the ring is touching the ground. If the directions were followed correctly the Bullseye should be 173cm from the ground.

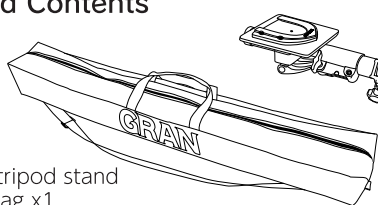
Throwline

244cm

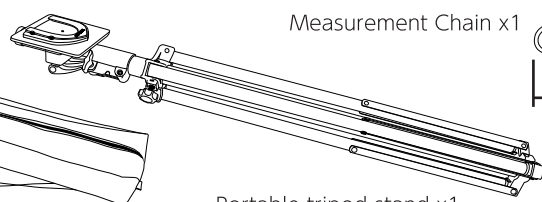
Completion Image

Included Contents

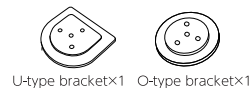
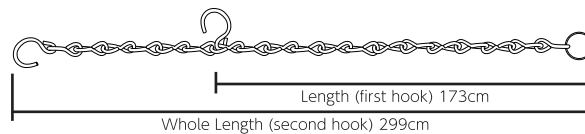
Portable tripod stand storage bag x1



Portable tripod stand x1



Measurement Chain x1



- Everything is included before starting to build.
- For safety, please be accompanied by someone else while setting up the tripod stand.
- Always make sure the designated area is flat ground before setting up the tripod stand.
- When putting together, please be careful not to damage: GRAN products, floor, wall and existing pieces of furniture.



The GRANBOARD is heavy, handle with caution. Always follow the instructions as stated, inability to follow instructions can cause a higher risk of failure and danger. Do not throw darts at other people. Choking hazard: keep children a respectable distance away from GRAN products. Do not use GRAN products for different uses than intended.